

Container: CANARIA 0750

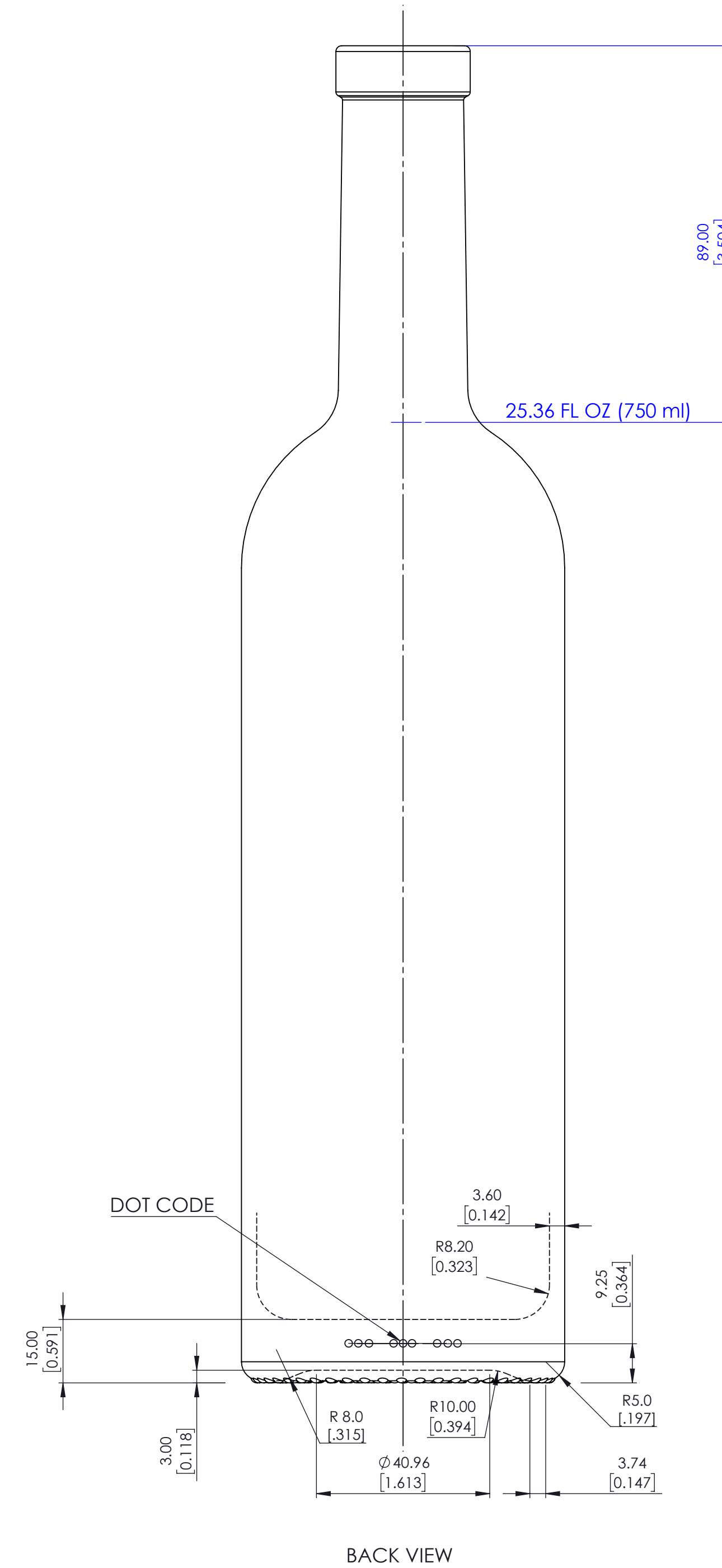
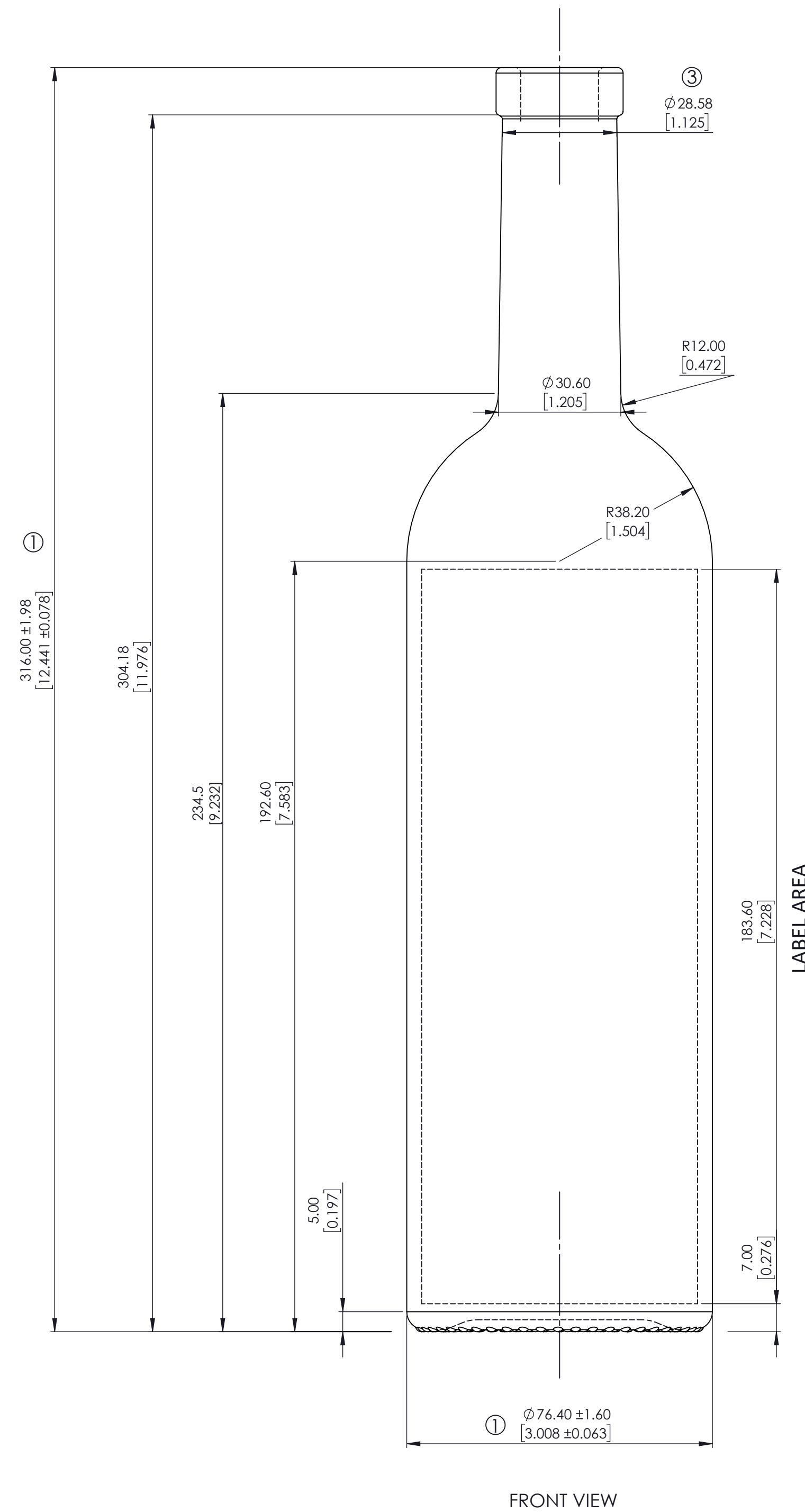
DRG No: DW01107-03

Description: ARG.FL.32-3120-08.750.CANARIA

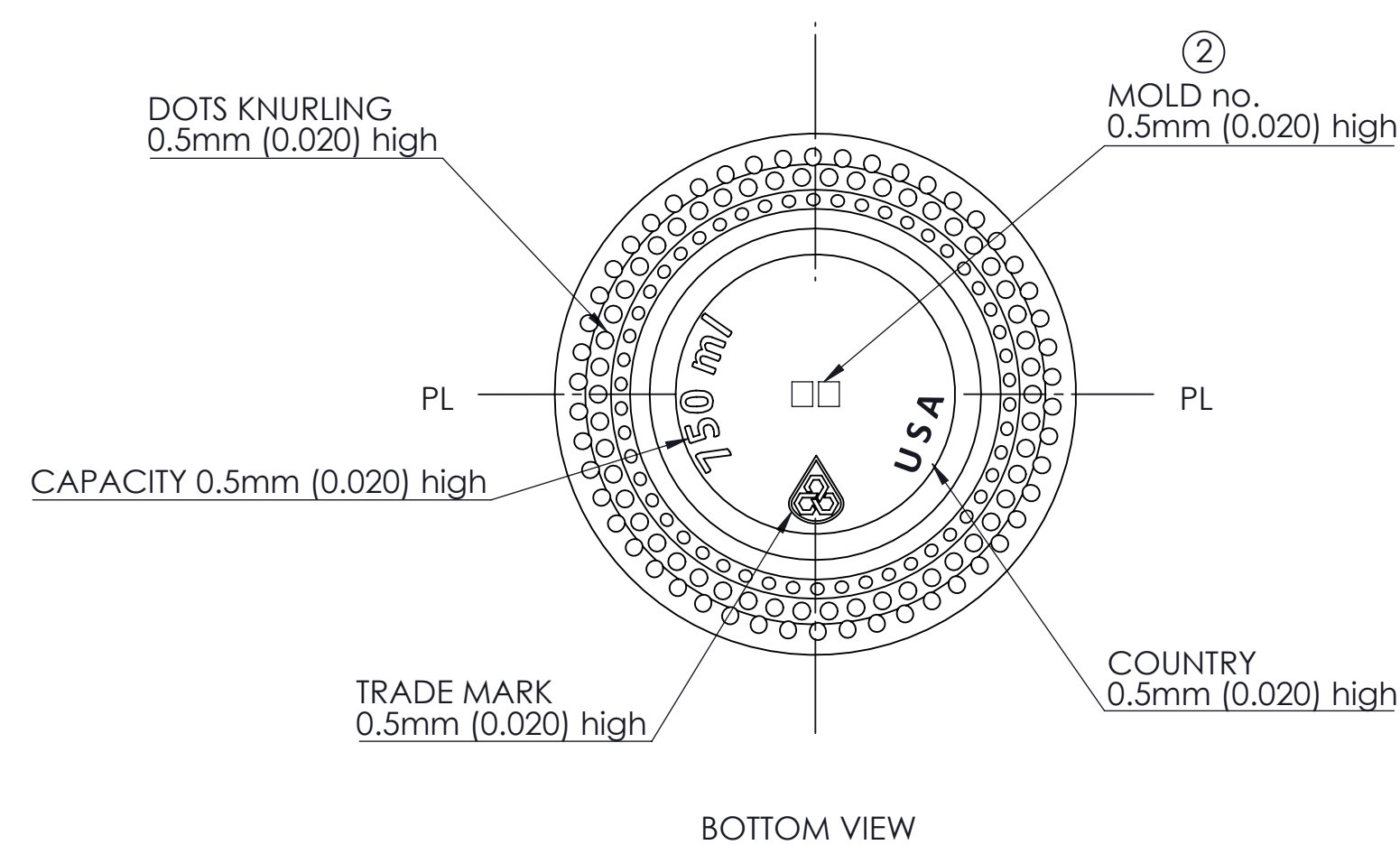
CPF#: 01107-00-000-000

This drawing is the intellectual property of Arglass Yamamura SE, LLC, with all rights reserved. Any complete or partial reproduction, or any transmission to a third party without express written consent is prohibited.

OVERALL HEIGHT:	316mm (12.441in)
LARGEST DIAMETER:	76.4mm (3.008in)
THEORETICAL C.O.G. - FULL:	15.5°
THEORETICAL C.O.G. - EMPTY:	16.4°
OVERFLOW (APPROX):	782 ml (26.443 fl oz)
NOMINAL CAPACITY:	750 ml (25.36 fl oz)
WEIGHT:	681g (23.022oz)



ISOMETRIC VIEW



HAUSER

PACKAGING

**CALL (207) 899-3306 OR EMAIL SALES@HAUSERPACK.COM
FOR MORE INFORMATION ON THE HP-CANARIA**

FIRST ANGLE PROJECTION	RETURNABLE: ①	NO	GLASS WEIGHT:	681g (23.022oz)	CUSTOMER:	ARGLASS
	PRODUCTION PROCESS:	BB	WEIGHT TOLERANCE: ①	± 28.35 g (±1.000 oz)	FINISH: ① ②	GPI 34-3120
	MAX GAS VOLUME: ①	N/A	BRIMFUL CAPACITY:	782 ml (26.443 fl oz)	GLASS COLOUR:	FLINT
	VACUITY:	4.30%	FILL POINT CAPACITY:	750 ml (25.36 fl oz)	DRAWN BY:	REHAR L.
	FILL HEIGHT:	89 mm (3.504in)	CAPACITY TOLERANCE: ①	±9.26ml (±0.313 fl oz)	DATE:	9.2.2021

No.	DATE	NAME	REVISIONS
03	05.31.2022	FS	NECK DIAMETER WAS MODIFIED TO GPI STANDARD
02	05.21.2022	FS	YEAR OF PRODUCTION, PLANT N° AND SERIAL N° WERE DELETED & MOLD NUMBER WAS MOVED AT CENTER OF THE BOTTOM. Finish was chaged to gpi 34-3120
01	04.26.2021	RCB	Finish was chaged to standard GPI design. Frame design was updated. Tolerances were updated to meet GPI standard